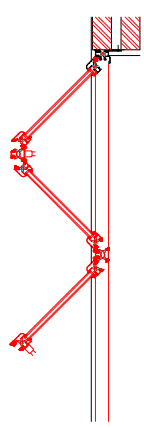
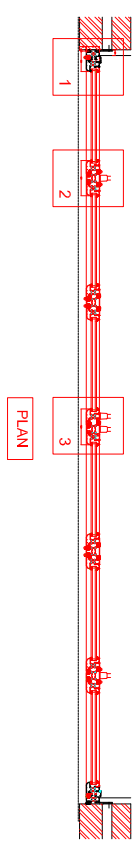
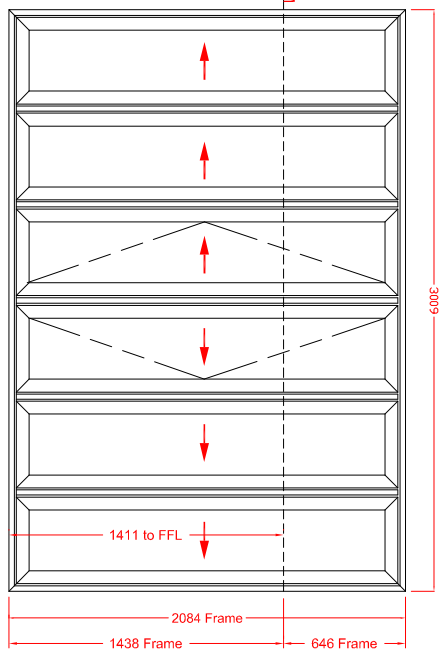
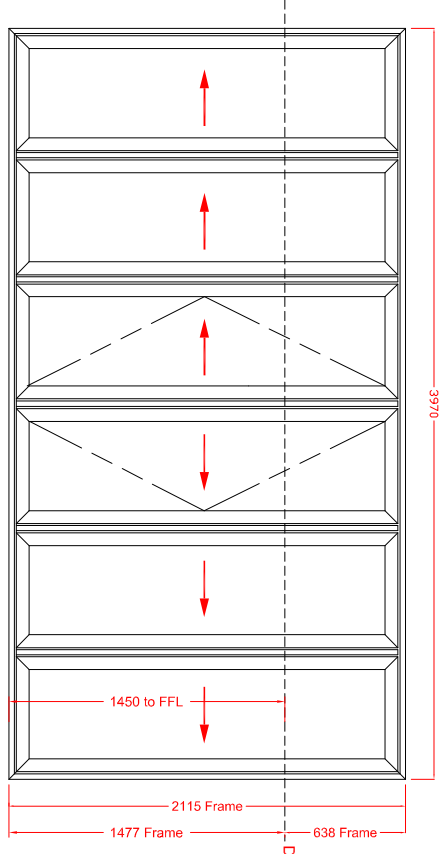


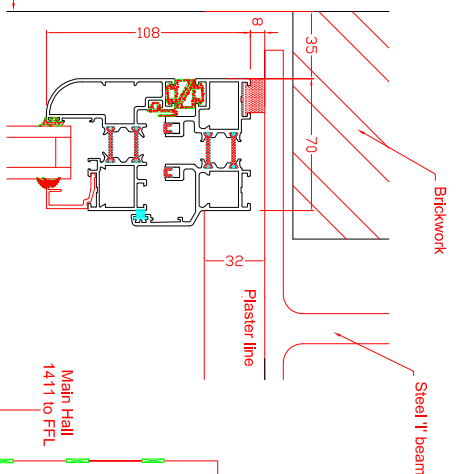
DO NOT SCALE
WORK TO FIGURED DIMENSIONS



PART PLAN OF DOORS OPENING

FINISH - Powder coated white RAL 9010 gloss.
FRAMES - Viscoid polyamide thermally broken stile of sections with pressed aluminum subrails as indicated.
GLAZING - 4mm clear toughened safety glass / 18mm argon filled cavity / 4mm Low 'e' Silverstar, Manifestation to be advised.
IRONMONGERY - Stainless steel bottom rollers, anti-lift blocks and non-locking lever handles (colour white) operating top and bottom bolts (No external access)

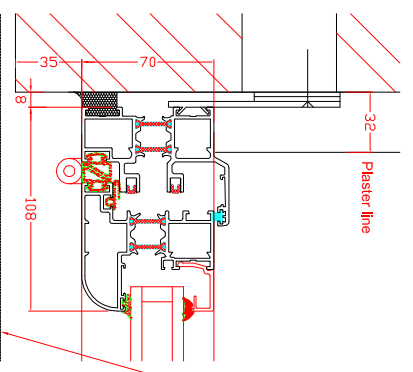
Building line 35mm from face of frame



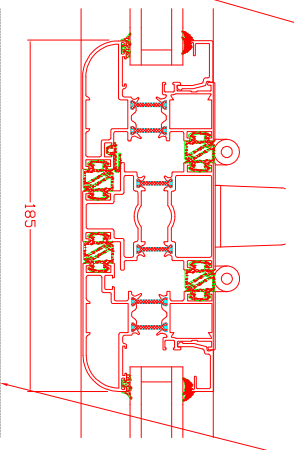
20mm dia hole pre-drilled to enable connection of overflow pipe. Located at left end of main hall doors. Viewed externally

Line of external threshold

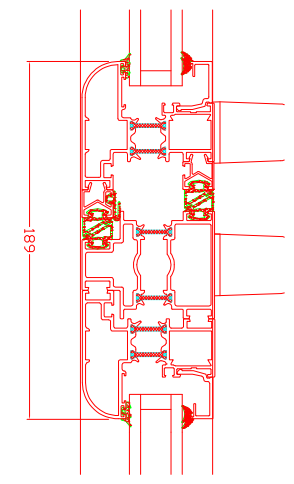
Line of patio paving slabs 8mm from existing building line



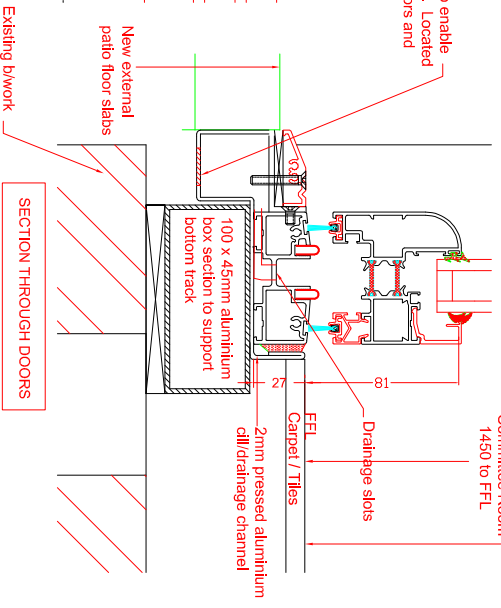
DETAIL 1



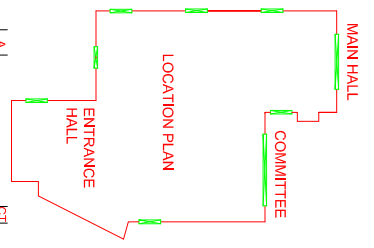
DETAIL 2



DETAIL 3



SECTION THROUGH DOORS



Client	Address	Author	Project
Ref: A	Drawn by: []	Checked by: []	Discussed by: []
Issue	Date	Scale	Sheet
1	2023/12	A2	1 of 1
STATE CONSTRUCTION REFURBISHMENT OF VILLAGE HALL DOORS TO MAIN HALL AND COMMITTEE ROOM			
Drawn by: [] Checked by: [] Discussed by: []			